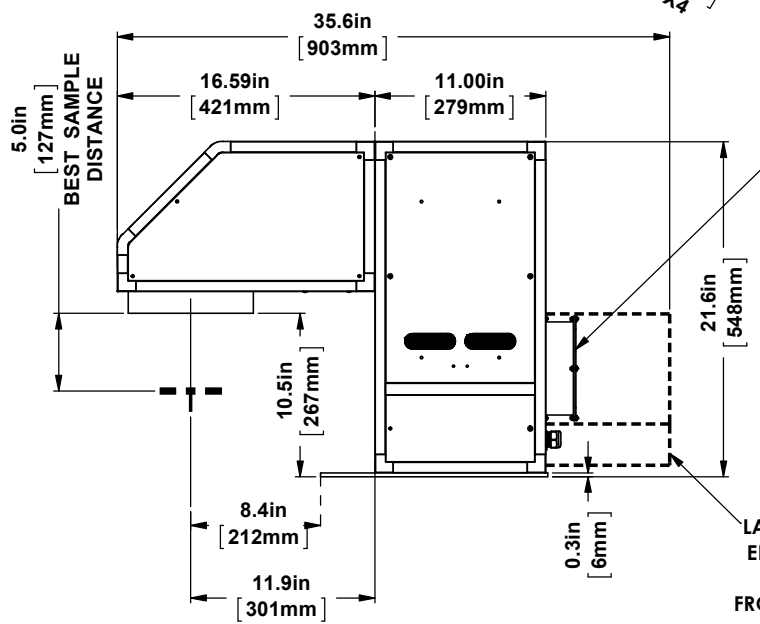
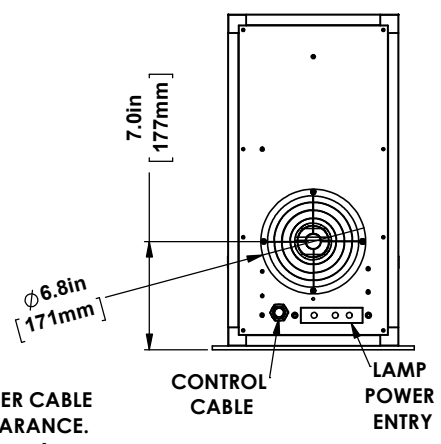


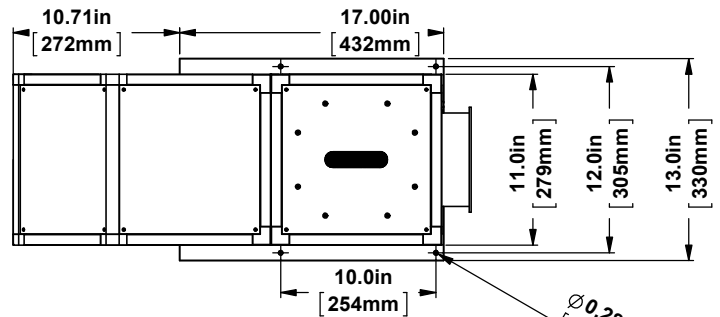
LS1000 SERIES
4" X 4" (10cm) MODEL
INSTALL DRAWING



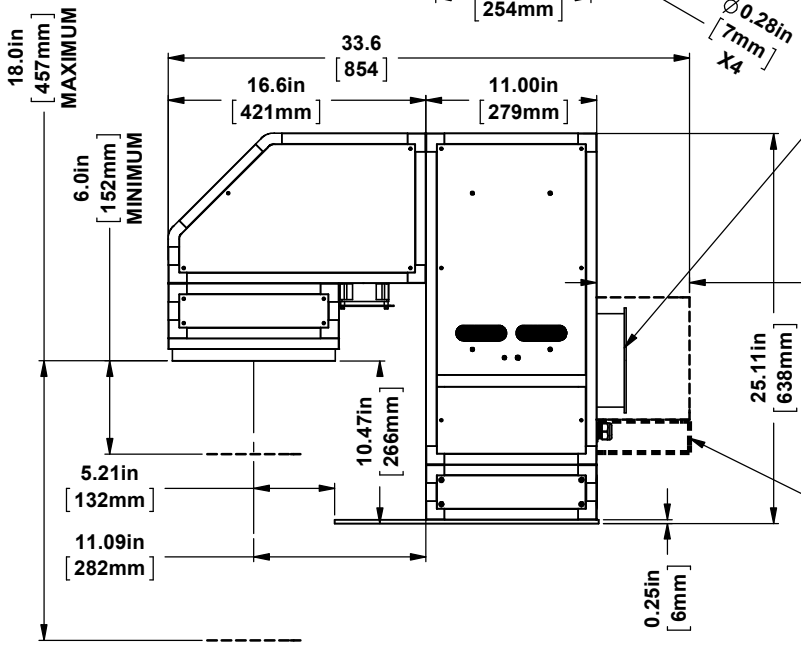
AIR EXHAUST
CAN NOT BE BLOCKED
DURING OPERATION
MINIMUM 6" (150mm)
CLEARANCE



LAMP POWER CABLE
ENTRY CLEARANCE.
8" (200mm)
FROM LAMP HOUSING



LS1000 SERIES
6" X 6" (15cm) MODEL
INSTALL DRAWING



AIR EXHAUST
CAN NOT BE BLOCKED
DURING OPERATION
MINIMUM 6" (150mm)
CLEARANCE

6.0in [152mm]
CLEARANCE

LAMP POWER CABLE
ENTRY CLEARANCE
8" (200mm)
FROM LAMP HOUSING

