

Solar Light can create a **PMA1181 Custom Analog Sensor** for virtually any wavelength and bandwidth. Bandwidth with up to two filters to tailor the spectrum. Most configurations will come with a teflon dome diffuser. Some configurations will require a different type of diffuser. Please contact us with your specific requirements. Custom sensors are our specialty!



### Applications

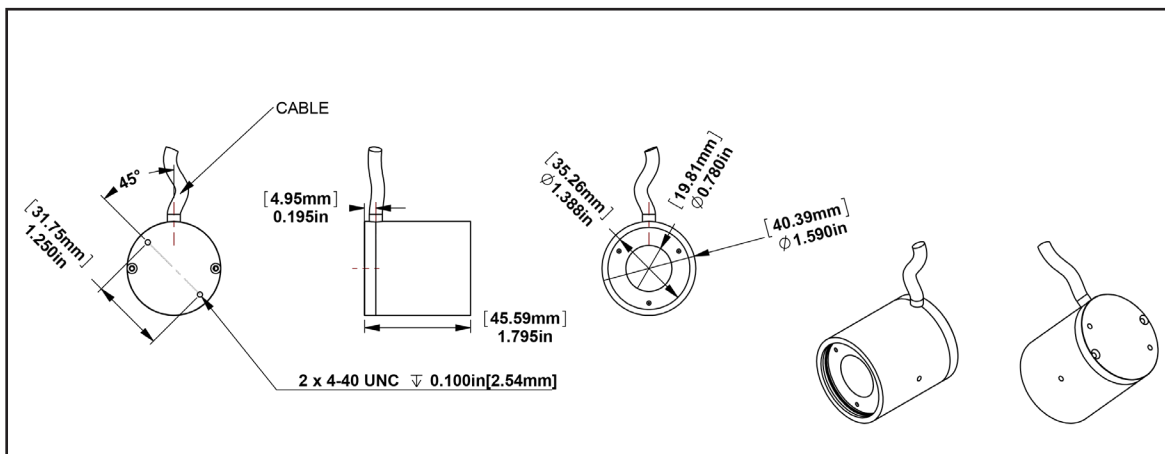
- Broadband Radiometry
- Clinical Studies
- Phototherapy

### Features and Benefits

- High Sensitivity
- NIST Traceable Calibration
- Excellent Long-Term Stability
- Selectable Units

CABLE LENGTHS	
<b>Standard Chassis</b>	6ft Straight Cable (1.82m) <i>(Custom Lengths Available)</i>
<b>Weatherproof Chassis</b>	15ft Standard Cable (4.57m) <i>(Custom Lengths Available)</i>
<b>Waterproof Underwater Chassis</b>	Cable Length by Request. Specify up to 100 Meters.
<b>Low Profile Chassis</b>	6ft Straight Cable (1.82m) <i>(Custom Lengths Available)</i>

### Standard Chassis



Est. Weight: 4 oz. (113 g)

### Partial Model Selection Chart



**Standard Chassis - IP60**  
1.8" (45.8mm) High x 1.6" (40.6mm) Diameter

STANDARD CHASSIS - IP60				
Model	Input Power	Output Signal	Range	Cable Type
PMA1110-S-05-200	± 5-12 VDC @ <1 mA	0-5 VDC	200 [mW/cm <sup>2</sup> ] or 2,000 [W/m <sup>2</sup> ]	Pigtail w/ 2 meter detachable cable
PMA1110-S-420-200	± 5-12 VDC @ <1 mA	4-20 mA	200 [mW/cm <sup>2</sup> ] or 2,000 [W/m <sup>2</sup> ]	Pigtail w/ 2 meter detachable cable



**Standard Chassis - IP60**  
1.8" (45.8mm) High x 1.6" (40.6mm) Diameter

STANDARD CHASSIS - IP60				
Model	Input Power	Output Signal	Range	Cable Type
PMA1110-S-05-200	± 5-12 VDC @ <1 mA	0-5 VDC	200 [mW/cm <sup>2</sup> ] or 2,000 [W/m <sup>2</sup> ]	Pigtail w/ 2 meter detachable cable
PMA1110-S-420-200	± 5-12 VDC @ <1 mA	4-20 mA	200 [mW/cm <sup>2</sup> ] or 2,000 [W/m <sup>2</sup> ]	Pigtail w/ 2 meter detachable cable

Custom ranges, cable lengths, and cable types are available upon request – please consult factory for details

### Analog Wiring Chart

WIRE COLOR	PMA11xx-420	PMA11xx-05	PMA11xx
White	Power Ground*	Signal Out 0-5 VDC	Signal Out 0 to Vin-0.5 VDC
Blue		Power Ground	Power Ground
Green			Analog Ground
Red			Vin +5-12 VDC
Orange			Vin -5-12 VDC
Yellow			Signal Out 0 to Vin-0.5 VDC
Black		Analog Ground	
Pink		Vin 9-24 VDC	
Brown	Vin 9-24 VDC*		
Bare or Braid		Shield	Shield
A/C Plug			

\*Current meter is connected in series with power supply and detector

Part Number: 210047

Revision Level: B

Specifications subject to change without notice.

Since 1967, Solar Light Company, LLC has been recognized worldwide as America's premier manufacturer of Precision Solar Simulators and Light Sources, Light Measurement Instrumentation, UV Transmittance Analyzers, Meteorological Instrumentation, and Digital and Analog Sensors. Our advanced line of UV, visible, and IR radiometers and light meters measure laboratory, industrial, environmental, and health related light levels with NIST traceable accuracy. Column ozone, aerosol, and water vapor thickness measurements, in addition to long-term global ultraviolet radiation studies all over the world are performed using our atmospheric line of instrumentation. Solar Light also provides NIST traceable spectroradiometric analyses, calibrations for light meters and light sources, accelerated ultraviolet radiation degradation testing of materials, and OEM instrumentation and monitors. Please visit our website for more details, specifications, and pictures!



**State Of The Art Solar Simulators** available in 150-1000+ watt UV or AM variations for a variety of applications including PV Cell Testing, Materials Testing, Pre-Irradiation for *In Vitro* Broad Spectrum Sunscreen Testing, SPF Testing, and much more.



**Multi-Functional Professional Grade Radiometers** available with and without data logging, and compatible with over 130 Solar Light PMA-Series Sensors to measure UV, Visible and IR wavelengths. Specialty Meters also available to measure UV Radiation, SUV/UVA, Scotopic/Photopic Spectra, and much more.



**Advanced NIST-Traceable Sensors** for accurate measurement of UVA, UVB, UVA+B, UVC, Visible, IR, Photostability, Temperature, and Custom Wavelength – well over 130 models in both digital and analog configurations, all compatible with our Radiometers.



**Ultraviolet Transmittance Analyzers** available as complete integrated turnkey systems to meet the latest ISO24443 requirements.



**Handheld Ozonometers and Sunphotometers** for fast and dependable Column Ozone, Aerosol, and Water Vapor Thickness measurements, in addition to long-term global ultraviolet radiation studies.